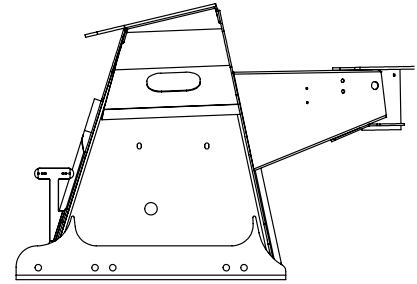
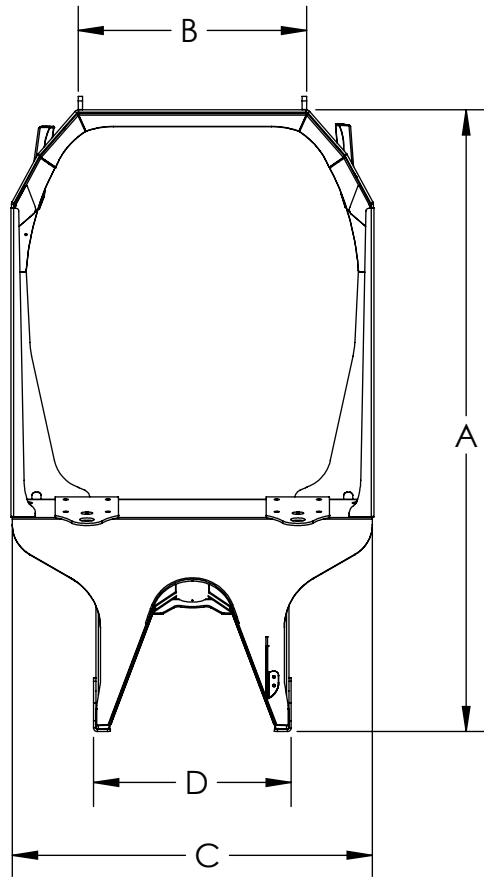
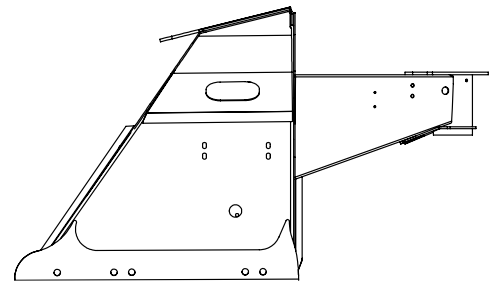


Rear Pedestal Order Spec Sheet

Part # _____



Pedestal A



Pedestal B

Dimensions

A _____

B _____

C _____

D _____

Options

Pedestal A: Pedestal B:

Drum Opening: 42" 46"

Pedestal Width (inches) _____

Hopper: Drop Standard

Main Chute: 5 ft. 6 ft.

Rollers: Yes No

Ladder Assy: Yes No

CTM: Mixer Serial #: _____

mtm: Mixer Serial #: _____

Sales Person _____

Mixer Size _____

Unit # _____

Customer Name _____

Street Address _____

City _____

State _____ Zip _____

Contact Person _____



**For Your Replacement Parts Needs
Call 507-374-2239 or Fax 507-374-1094**

www.ctmmixers.com