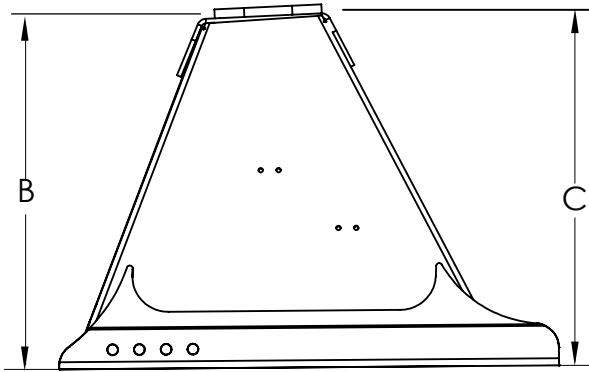
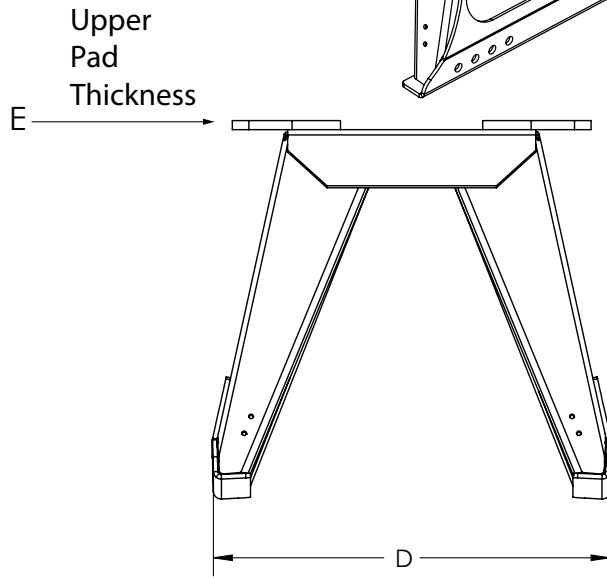
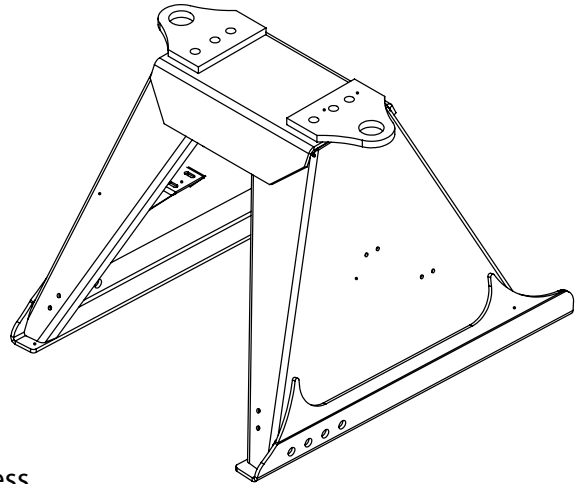
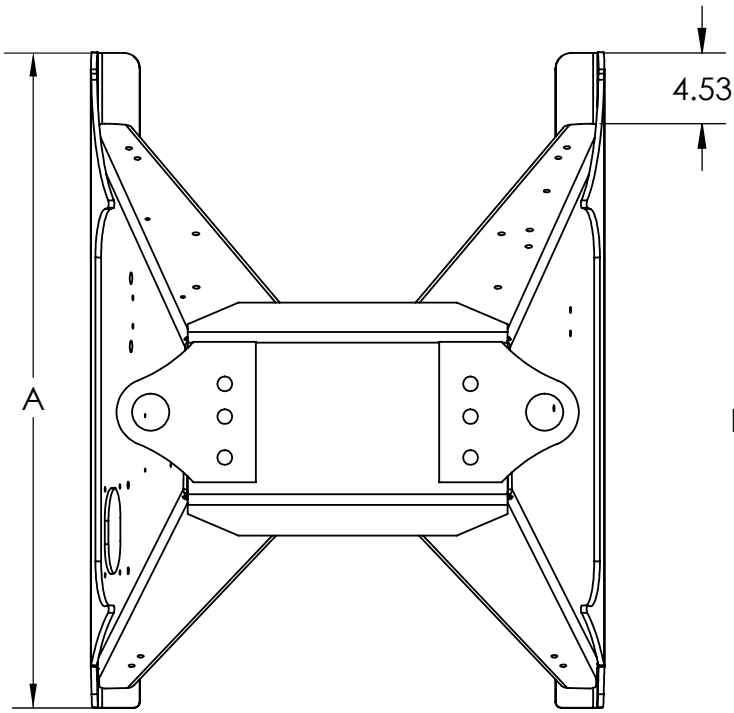


# Front Pedestal Order Spec Sheet

Part # \_\_\_\_\_



Sales Person \_\_\_\_\_  
 Mixer Size \_\_\_\_\_  
 Unit # \_\_\_\_\_  
 Customer Name \_\_\_\_\_  
 Street Address \_\_\_\_\_  
 City \_\_\_\_\_  
 State \_\_\_\_\_ Zip \_\_\_\_\_  
 Contact Person \_\_\_\_\_

## Dimensions

A \_\_\_\_\_  
 B \_\_\_\_\_  
 C \_\_\_\_\_  
 D \_\_\_\_\_  
 E \_\_\_\_\_



**For Your Replacement Parts Needs**  
 Call 507-374-2239 or Fax 507-374-1094

[www.ctmmixers.com](http://www.ctmmixers.com)